

ROBUS®

INDUSTRIAL

HARBOUR LED CORROSION PROOF

10W, 20W, 28W, 34W, 40W, 58W, 70W, 80W, IP65



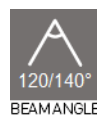
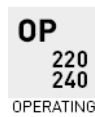
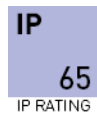
PRODUCT INFORMATION DOCUMENT

FEATURES

- Suitable for workshops, garages, warehouses, car parks, farm buildings, wet areas
- LED replacement for 1x18W to 2x70W fluorescent corrosion proof fitting
- The base is flat bottomed to aid mounting, and is manufactured from high impact polycarbonate for strength and durability
- The base also has a number of reinforced glanding points in the base to aid gland or conduit entry
- Wide operating ambient temperature range of -25°C to 40°C

CONSTRUCTION

- Grey coloured polycarbonate body
- Opal polycarbonate diffuser
- Stainless steel clips
- Aluminium gear tray



Product Code:	RHA10402FT	RHA20402FT	RHA20404FT	RHA40404FT	RHA28405FT	RHA58405FT	RHA80405FT	RHA34406FT	RHA70406FT
Comparable to:	1 x 18W fluorescent	2x18W Fluorescent	1x 36W fluorescent	2x 36W fluorescent	1 x 58W fluorescent	2x 58W fluorescent	2x 70W fluorescent	1x 70W fluorescent	2x 70W fluorescent
Total Power (W):	9.8	18.9	18.9	37.5	26.8	57.3	80.2	32.8	69.6
Power Factor:	0.9	0.9	0.9	0.97	0.95	0.97	0.97	0.95	0.97
Total Light Output (lm):	1080	2160	2250	4280	3050	6090	8040	3460	7120
Total Emergency Light Output (lm):	180	290	300	290	290	290	300	300	300
Efficacy (lm/cctW):	110	114	119	114	114	103	100	105	102
Lux at 1m (lux):	280	640	590	1300	800	1790	2380	860	2070
Emergency Lux at 1m (lux):	50	90	80	80	80	80	80	80	80
CCT (K):	4000	4000	4000	4000	4000	4000	4000	4000	4000
CRI:	80	80	80	80	80	80	80	80	80
IP:	65	65	65	65	65	65	65	65	65
Operation Temperature (°C):	-20 ≤ Ta ≤ +40	-20 ≤ Ta ≤ +40	-20 ≤ Ta ≤ +40	-20 ≤ Ta ≤ +40	-20 ≤ Ta ≤ +40	-20 ≤ Ta ≤ +40	-20 ≤ Ta ≤ +40	-20 ≤ Ta ≤ +40	-20 ≤ Ta ≤ +40
Inrush Current:	8A/60us	8A/80us	8A/80us	10A/80us	41A/3.6us	13A/50us	52A/9us	5.2A/1.1us	47.2A/8.8us
RG Value:	0	0	0	0	0	0	0	0	0
SDCM:	6	6	6	6	6	6	6	6	6
P _{ST} LM:	NA	NA	NA	NA	NA	NA	NA	NA	NA
SVM:	NA	NA	NA	NA	NA	NA	NA	NA	NA
Energy Class:	D	0	0	0	0	0	0	0	0
Rated Life to L70B50 (Hrs):	50000	50000	50000	50000	50000	50000	50000	50000	50000
Dimensions ØxH (mm):	650x70x72	650x117x70	1250x72x70	1250x117x70	1550x117x70	1550x72x70	1550x117x70	1850x72x70	1850x117x70
Weight (kg):	0.58	0.82	1	1.51	1.22	1.78	1.83	1.66	2.66

Separate Control Gear Information									
Type of Light Source:	LED	LED	LED	LED	LED	LED	LED	LED	LED
Full Load Efficiency (%):	80	90	90	91	91	92	91	91	93
P _{NET} (W):	NA	NA	NA	NA	NA	NA	NA	NA	NA
Dimensions (mm):	144x22x21	230x30x21	230x30x21	230x30x21	230x30x21	230x30x21	280x30x21	230x30x21	280x30x21

Product is certified to all the relevant standards.

Please contact our technical department for market specific compliances.

PLEASE NOTE: INFORMATION IN THIS DOCUMENT MAY BE SUBJECT TO CHANGE WITHOUT PRIOR NOTICE

IRE: TEL: +353 1 709 9000
 UK: TEL: 0800 973 220
 AUS: TEL: +61 7 3890 5444
 NZ: TEL: +64 03 668 5285

WEB: ROBUS.COM
 WEB: ROBUS.COM
 WEB: ROBUS.COM.AU
 WEB: ROBUSLED.CO.NZ

LED GROUP EUROPE · UK · AUSTRALIA · NEW ZEALAND · ASIA · MIDDLE EAST · AFRICA

HARBOUR LED CORROSION PROOF

10W, 20W, 28W, 34W, 40W, 58W, 70W, 80W,
IP65

Cone Illuminance Diagram

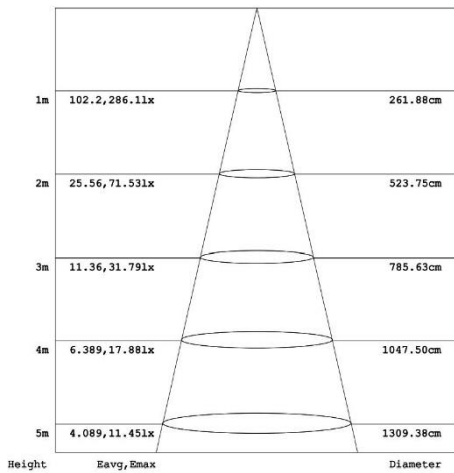


Diagram for RHA10402FT in 4000K. Other diagrams available on request

Polar Intensity Diagram

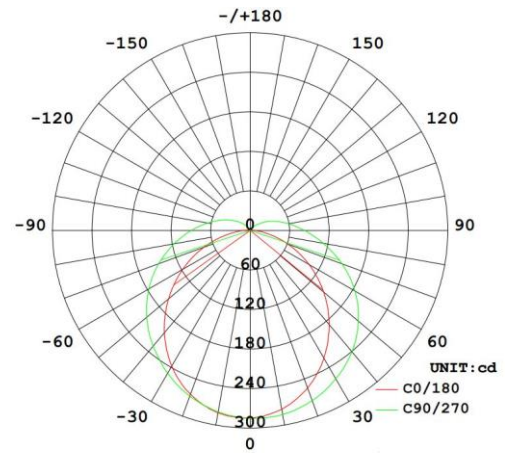
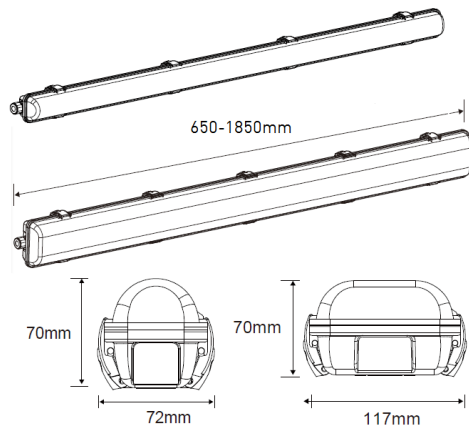


Diagram for RHA10402FT in 4000K. Other diagrams available on request

Dimension Diagram



Accessories

RHA2WEMPK-PSU	HARBOUR 2W, 3 Hour Plug-in Emergency Pack with LiFePO4
RHA2WEMST-PSU	HARBOUR 2W, 3 Hour Plug-in Emergency Pack with LiFePO4 and self-test
R360PIR-01	PIR Sensor for linear fittings
R360RC-01	Remote control/programmer for PIR Sensor

Sensor Data

Time Off Delay:	10sec to 60min
Illuminance Switching Range:	10-50lux, disabled
Sensitivity Range (%):	25, 50, 75, 100
Mounting Height (max):	6m
Detection Zone Diameter (max):	7m

PLEASE NOTE: INFORMATION IN THIS DOCUMENT MAY BE SUBJECT TO CHANGE WITHOUT PRIOR NOTICE

IRE: TEL: +353 1 709 9000
UK: TEL: 0800 973 220
AUS: TEL: +61 7 3890 5444
NZ: TEL: +64 03 668 5285

WEB: ROB.US.COM
WEB: ROB.US.COM
WEB: ROB.US.COM.AU
WEB: ROB.US.LED.CO.NZ

LED GROUP EUROPE · UK · AUSTRALIA · NEW ZEALAND · ASIA · MIDDLE EAST · AFRICA